



**river**

MIRRORS



Wriver is a luxury furniture brand proudly made in India; making contemporary designs grounded in international sensibilities made conveniently accessible to the Indian market through its curated collection and with a range of customisation options.

*At Wriver, we synergise rare craftsmanship and material innovation with comprehensive savoir-faire, to produce premium-quality, unmatched designs for empowering interiors.*



**INCURVATE WALL MIRROR**  
AMBIENTE COLLECTION

Incurvate is an innovative form-driven attempt to create a design for the wall mirror that is not only utilitarian but also adds an element of fun to the room. From a two-dimensional surface, cut and folded into a desired three-dimensional form, this distinctly different product is a result of high-end engineering and detail-oriented design. The structure in sheet-metal clad with eco leather, gives a warm and soothing feel, making it suitable for every environment.



**INCURVATE WALL MIRROR**

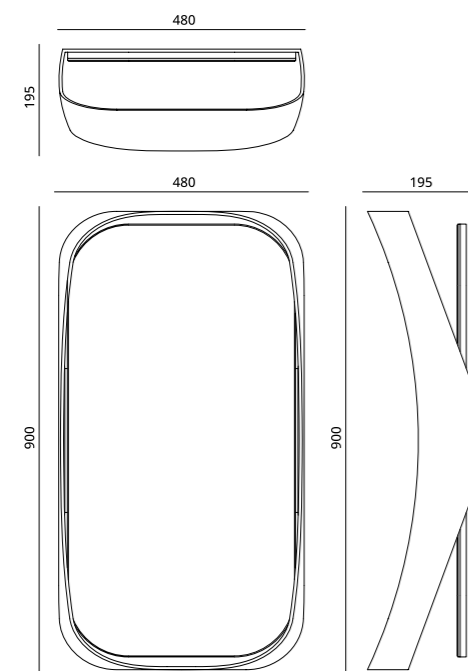
Eco Leather | Brass Antique Light | Brown Oak Matt

## INCURVATE WALL MIRROR | AMBIENTE COLLECTION

Technical Information

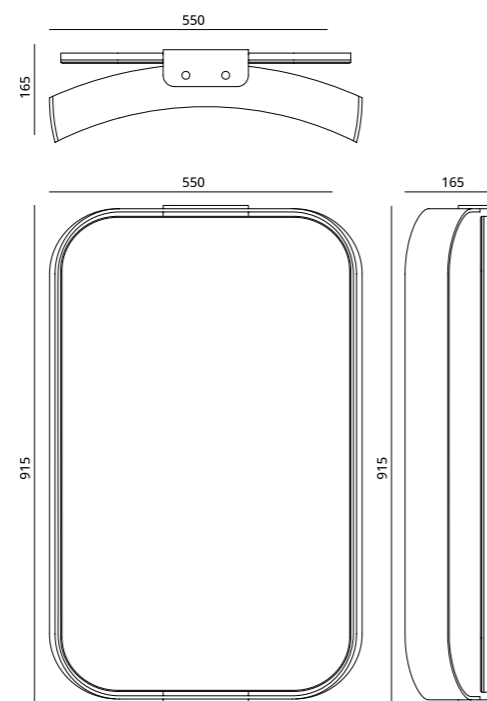
### Details

Frame- Cladded in eco leather  
Back Structure- In veneer  
Connectors- In metal



### Available Size (In mm)

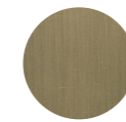
900 L x 195 D x 480 H  
915 L x 165 D x 550 H



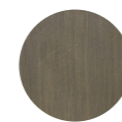
## INCURVATE WALL MIRROR | AMBIENTE COLLECTION

Materials and Finishes

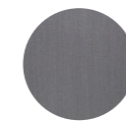
### Metal Finishes



Brass Antique  
Light



Brass Antique  
Dark



Black Nickel  
Antique



Copper Antique  
Light

### Wood / Veneer Finishes



Brown Oak  
Matt

### Upholstery

Eco Leather options available on request



**INCURVATE FREE STANDING MIRROR**  
AMBIENTE COLLECTION

Incurvate is an innovative form-driven attempt to create a design for the free-standing mirror that is not only utilitarian but also adds an element of fun to the room. From a two-dimensional surface, cut and folded into a desired three-dimensional form, this distinctly unique product is a result of high-end engineering and detail-oriented design. The structure clad with eco leather gives a warm and soothing feel, making it suitable for every environment.

**INCURVATE FREE STANDING MIRROR**

Eco Leather | Brass Antique Light | Silver Newood Oak Matt



**INCURVATE FREE STANDING MIRROR**

Eco Leather | Brass Antique Light | Silver Newood Oak Matt

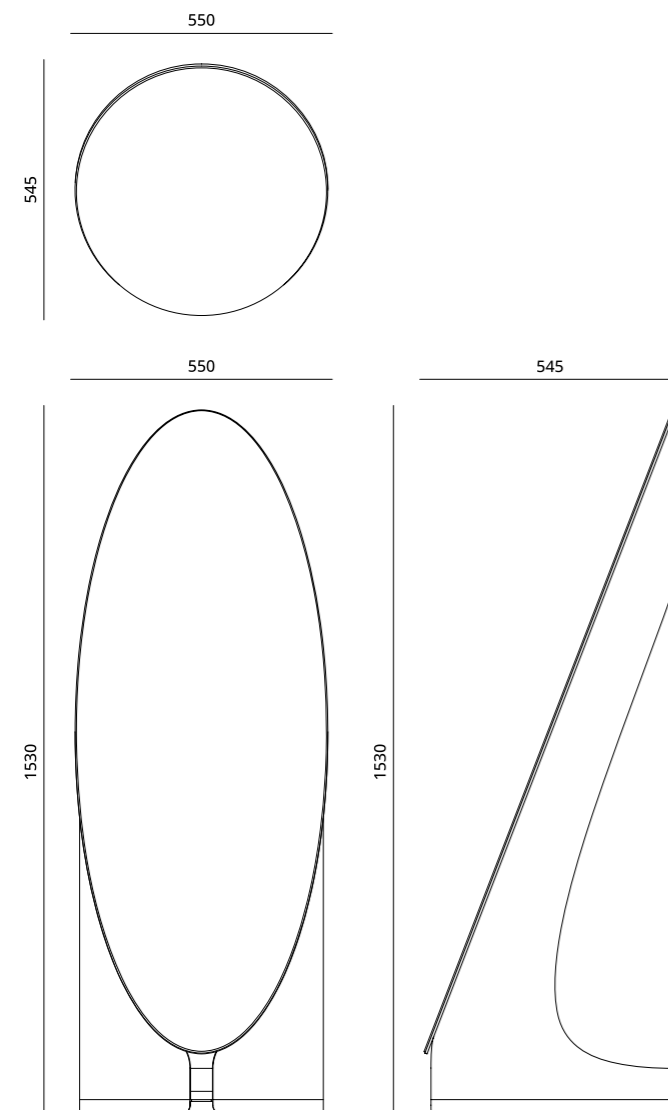
**INCURVATE FREE STANDING MIRROR**  
AMBIENTE COLLECTION  
Technical Information

**Details**

Structure- Cladded in eco leather  
Bottom Shelf- In veneer  
Skirting- In metal

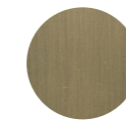
**Available Size (In mm)**

550 L x 545 D x 1530 H

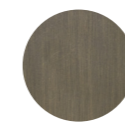


**INCURVATE FREE STANDING MIRROR**  
AMBIENTE COLLECTION  
Materials and Finishes

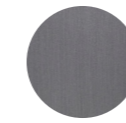
**Metal Finishes**



Brass Antique  
Light



Brass Antique  
Dark

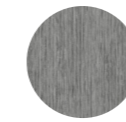


Black Nickel  
Antique



Copper Antique  
Light

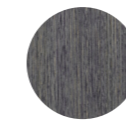
**Wood / Veneer Finishes**



Silver Newood  
Oak Matt



Brown Newood  
Eucalyptus Matt



Silver Eucalyptus  
Matt



Umber Newood  
Oak Matt

**Upholstery**

Eco Leather options available on request





**ORBITO RECTANGLE MIRROR**  
AMBIENTE COLLECTION

ORBITO is a series of wall mirrors in various shapes and sizes, with the linear structural metal frame holding the mirror in the centre. A perfect blend of mirror highlighted with metal in antique and oxidised finishes, infused by skilled workmanship and an advanced industrial process, leading to a completely exclusive result.

**ORBITO RECTANGLE MIRROR**

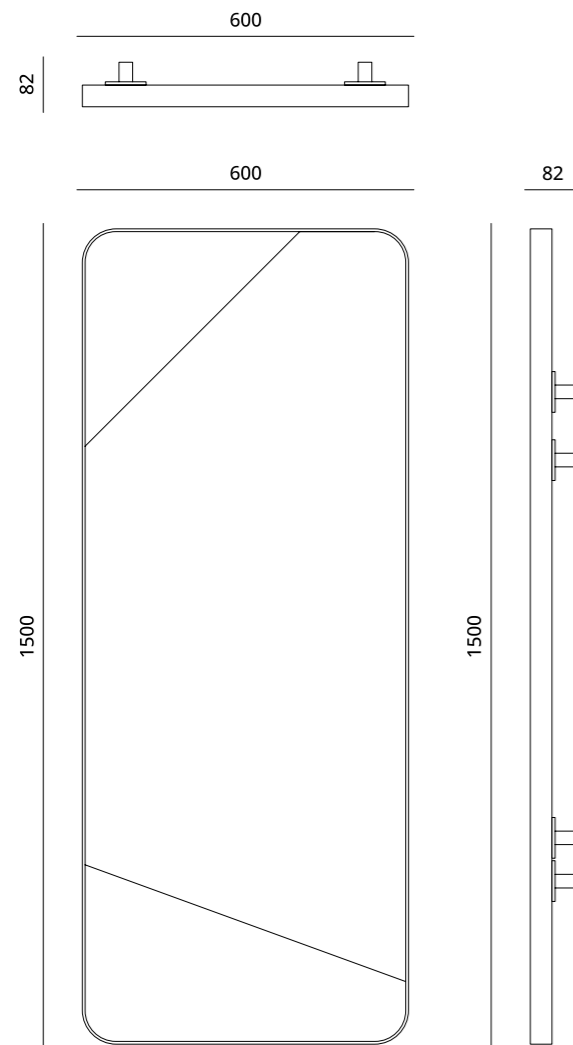
Brass Stagnant (Panel) | Brass Antique Light (Frame)

## ORBITO RECTANGLE MIRROR | AMBIENTE COLLECTION

Technical Information

### Details

Frame- In metal  
Back Panel- In oxidised metal  
Mirror with cove LED light



### Available Size (In mm)

600 L x 1500 H

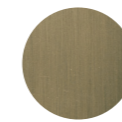
## ORBITO RECTANGLE MIRROR | AMBIENTE COLLECTION

Materials and Finishes

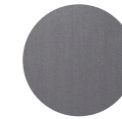
### Metal Finishes



Brass Antique Dark  
(Frame only)



Brass Antique Light  
(Frame only)



Black Nickel Antique  
(Frame only)



Copper Antique Light  
(Frame only)



Brass Stagnant  
(Panel only)



Copper Stagnant  
(Panel only)



Brass Erratic  
(Panel only)



Copper Erratic  
(Panel only)



Steel Dusky  
(Panel only)



Steel Erratic  
(Panel Only)

### Glass

Extra clear mirror



**ORBITO OVAL MIRROR**  
AMBIENTE COLLECTION

ORBITO is a series of wall mirrors in various shapes and sizes, with the linear structural metal frame holding the mirror in the centre. A perfect blend of mirror highlighted with metal in antique and oxidised finishes, infused by skilled workmanship and an advanced industrial process, leading to a completely exclusive result.

**ORBITO OVAL MIRROR**

Brass Erratic (Panel) | Brass Antique Light (Frame)

## ORBITO OVAL MIRROR | AMBIENTE COLLECTION

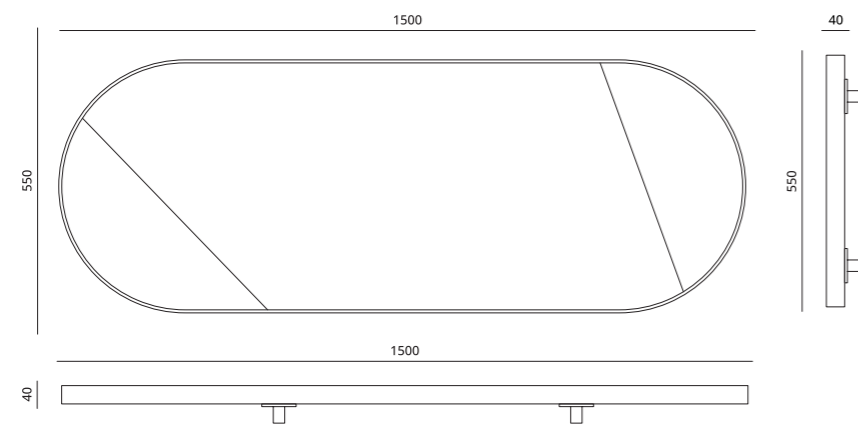
Technical Information

### Details

Frame- In metal  
Back Panel- In oxidised metal  
Mirror with cove LED light

### Available Size (In mm)

1500 L x 550 H



## ORBITO OVAL MIRROR | AMBIENTE COLLECTION

Materials and Finishes

### Metal Finishes



Brass Antique Dark  
(Frame only)



Brass Antique Light  
(Frame only)



Black Nickel Antique  
(Frame only)



Copper Antique Light  
(Frame only)



Brass Stagnant  
(Panel only)



Copper Stagnant  
(Panel only)



Brass Erratic  
(Panel only)



Copper Erratic  
(Panel only)



Steel Dusky  
(Panel only)



Steel Erratic  
(Panel Only)

### Glass

Extra clear mirror



**ORBITO SQUARE MIRROR**  
AMBIENTE COLLECTION

ORBITO is a series of wall mirrors in various shapes and sizes, with the linear structural metal frame holding the mirror in the centre. A perfect blend of mirror highlighted with metal in antique and oxidised finishes, infused by skilled workmanship and an advanced industrial process, leading to a completely exclusive result.

**ORBITO SQUARE MIRROR**

Copper Erratic (Panel) | Brass Antique Light (Frame)

## ORBITO SQUARE MIRROR | AMBIENTE COLLECTION

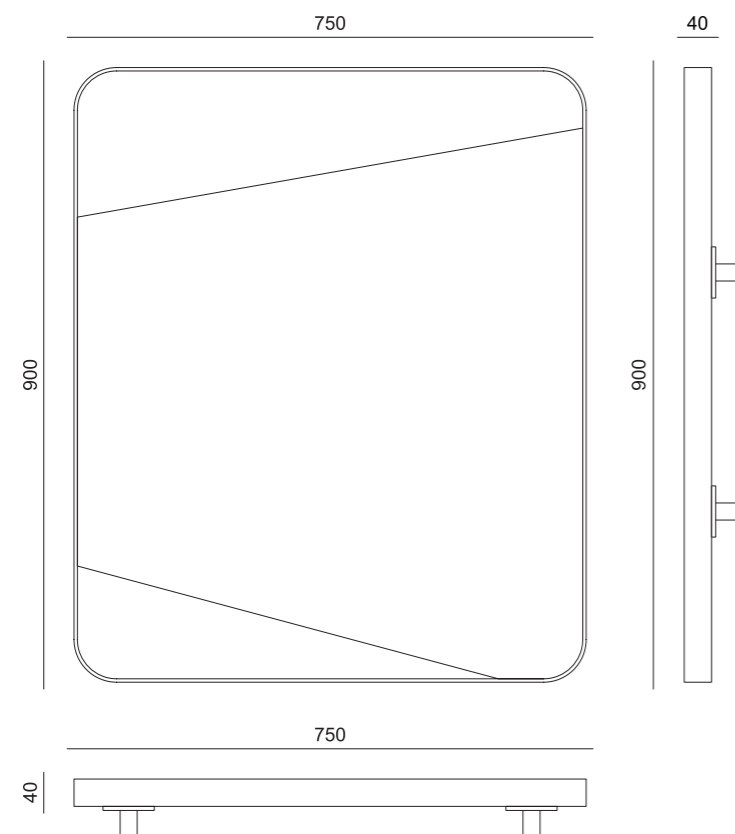
Technical Information

### Details

Frame- In metal  
Back Panel- In oxidised metal  
Mirror with cove LED light

### Available Size (In mm)

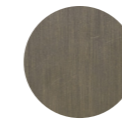
750 L x 900 H



## ORBITO SQUARE MIRROR | AMBIENTE COLLECTION

Materials and Finishes

### Metal Finishes



Brass Antique Dark  
(Frame only)



Brass Antique Light  
(Frame only)



Black Nickel Antique  
(Frame only)



Copper Antique Light  
(Frame only)



Brass Stagnant  
(Panel only)



Copper Stagnant  
(Panel only)



Brass Erratic  
(Panel only)



Copper Erratic  
(Panel only)



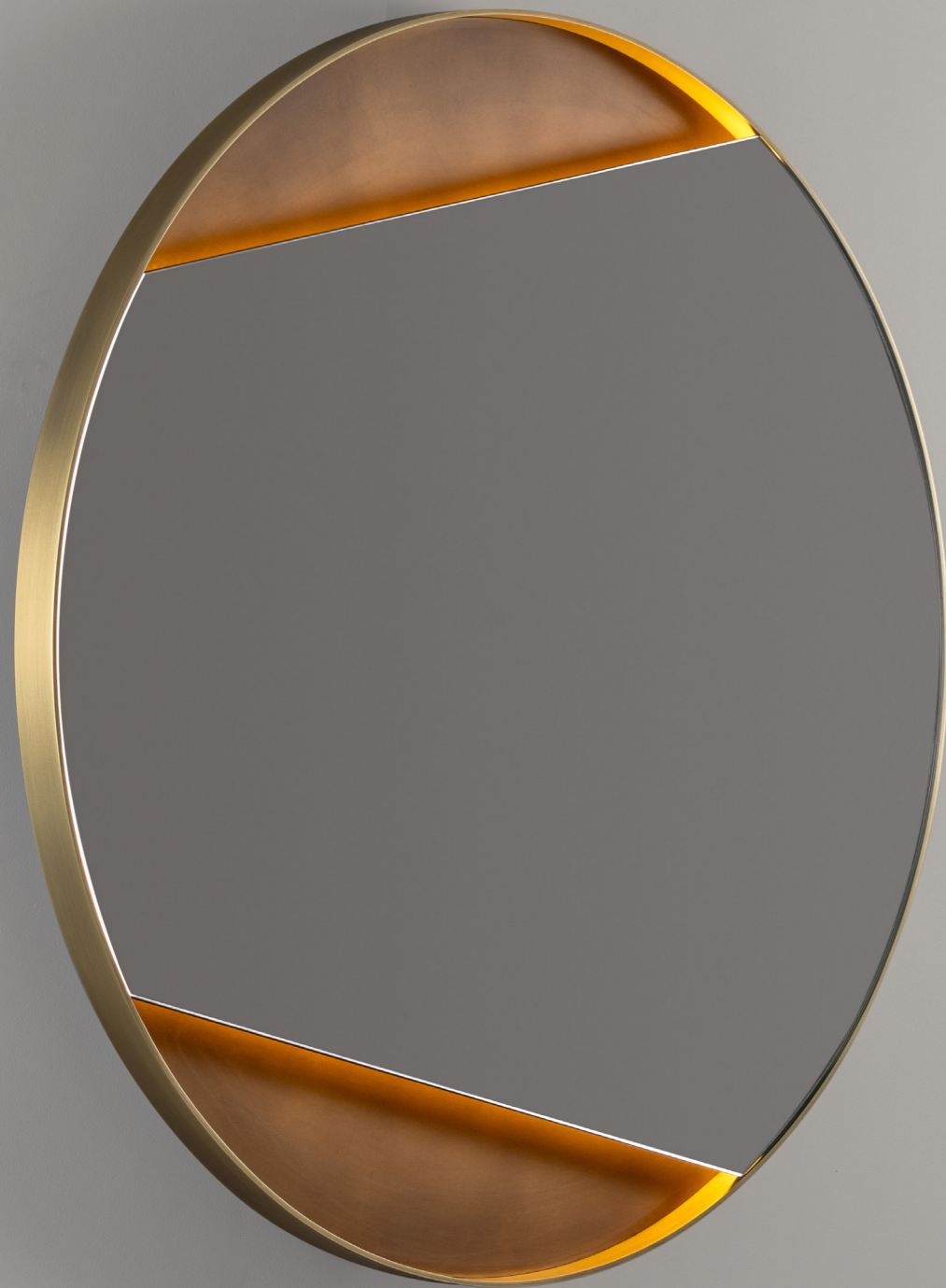
Steel Dusky  
(Panel only)



Steel Erratic  
(Panel Only)

### Glass

Extra clear mirror



**ORBITO CIRCLE MIRROR**  
AMBIENTE COLLECTION

ORBITO is a series of wall mirrors in various shapes and sizes, with the linear structural metal frame holding the mirror in the centre. A perfect blend of mirror highlighted with metal in antique and oxidised finishes, infused by skilled workmanship and an advanced industrial process, leading to a completely exclusive result.

**ORBITO CIRCLE MIRROR**

Brass Stagnant (Panel) | Brass Antique Light (Frame)

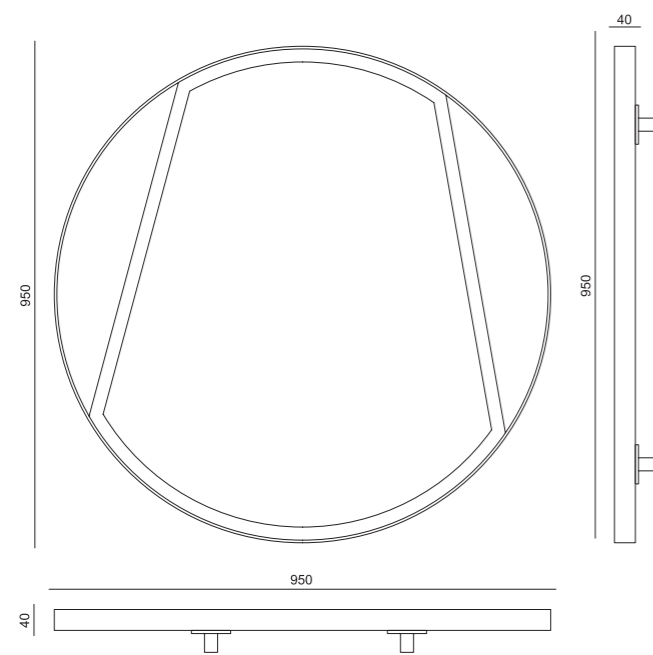
**ORBITO CIRCLE MIRROR | AMBIENTE COLLECTION**  
Technical Information

**Details**

Frame- In metal  
Back Panel- In oxidised metal  
Mirror with cove LED light

**Available Size (In mm)**

950 Dia



**ORBITO CIRCLE MIRROR | AMBIENTE COLLECTION**  
Materials and Finishes

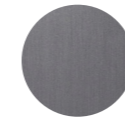
**Metal Finishes**



Brass Antique Dark  
(Frame only)



Brass Antique Light  
(Frame only)



Black Nickel Antique  
(Frame only)



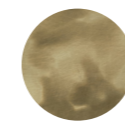
Copper Antique Light  
(Frame only)



Brass Stagnant  
(Panel only)



Copper Stagnant  
(Panel only)



Brass Erratic  
(Panel only)



Copper Erratic  
(Panel only)



Steel Dusky  
(Panel only)



Steel Erratic  
(Panel Only)

**Glass**

Extra clear mirror





**ORBITO HALO CIRCLE MIRROR**  
AMBIENTE COLLECTION

ORBITO is a series of wall mirrors in various shapes and sizes, with the linear structural metal frame holding the mirror in the centre. A perfect blend of mirror highlighted with metal in antique and oxidised finishes, infused by skilled workmanship and an advanced industrial process, leading to a completely exclusive result.

**ORBITO HALO CIRCLE MIRROR**

Brass Stagnant (Panel) | Brass Antique Light (Frame)

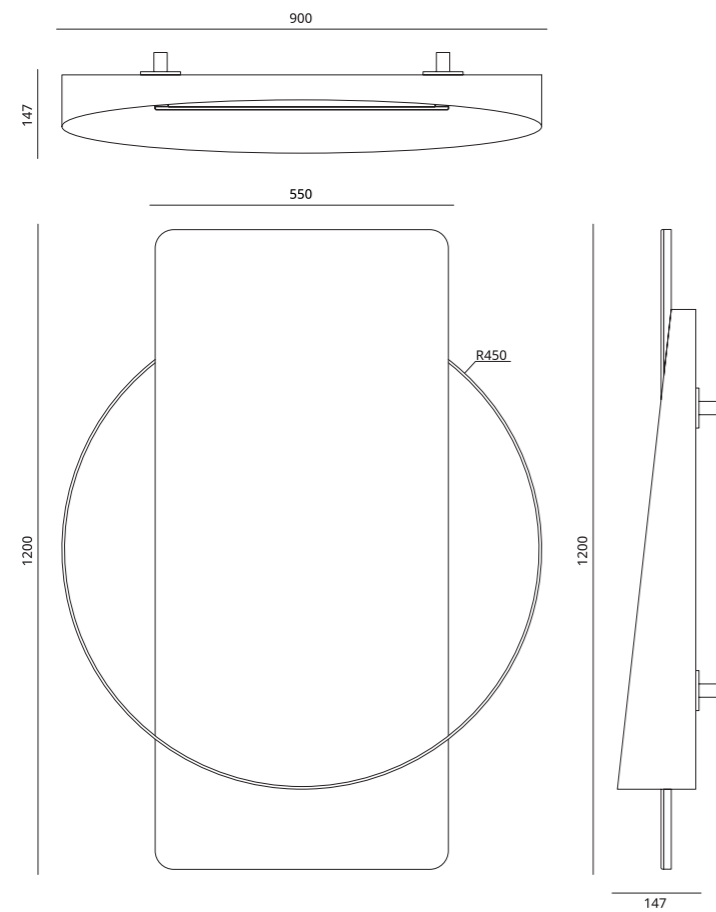
**ORBITO HALO CIRCLE MIRROR** | AMBIENTE COLLECTION  
 Technical Information

**Details**

Frame- In metal  
 Back Panel- In oxidised metal

**Available Size (In mm)**

550 L x 1200 H x 900 Dia (Frame)



**ORBITO HALO CIRCLE MIRROR** | AMBIENTE COLLECTION  
 Materials and Finishes

**Metal Finishes**



**Glass**

Extra clear mirror



**ORBITO HALO OVAL MIRROR**

Multiple Oxidation Finishes (Panel) | Brass Antique Light (Frame)

**ORBITO HALO OVAL MIRROR**  
AMBIENTE COLLECTION

ORBITO is a series of wall mirrors in various shapes and sizes, with the linear structural metal frame holding the mirror in the centre. A perfect blend of mirror highlighted with metal in antique and oxidised finishes, infused by skilled workmanship and an advanced industrial process, leading to a completely exclusive result. The circular rotating panel of the Orbito Halo Oval Mirror is a combination of seven different oxidation finishes.

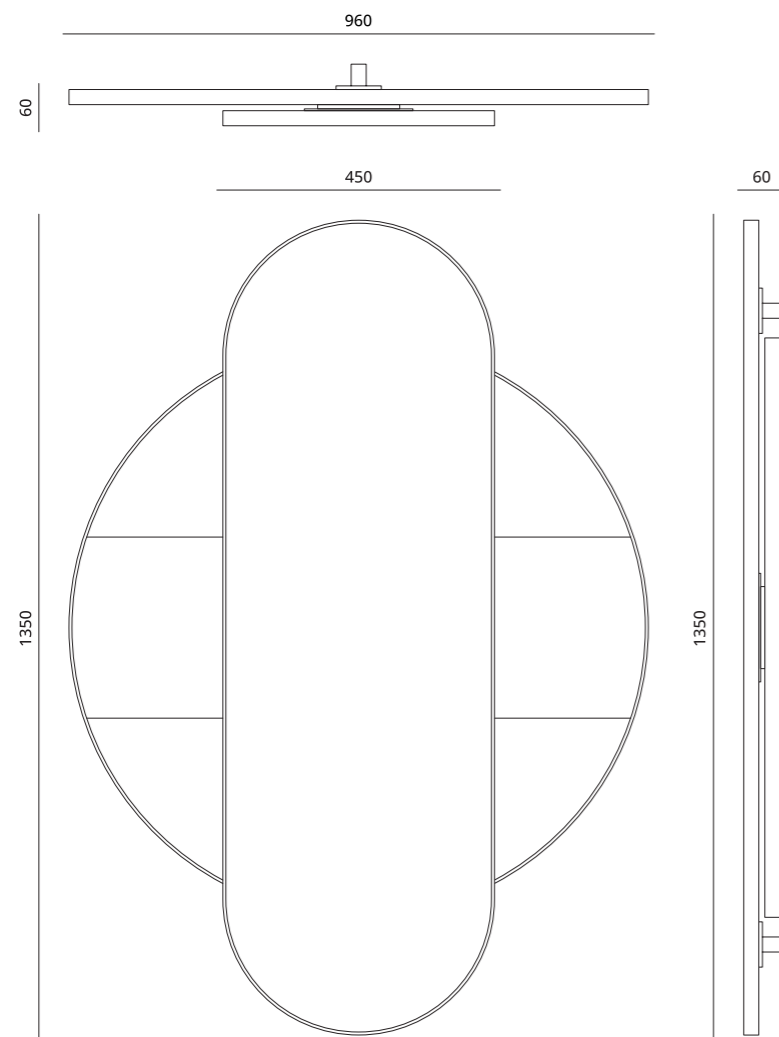
**ORBITO HALO OVAL MIRROR | AMBIENTE COLLECTION**  
Technical Information

**Details**

Frames- In metal  
Rotating Back Panel- In multiple oxidation finishes on metal

**Available Size (In mm)**

450 L x 1350 H x 960 Dia (Back Plate)



**ORBITO HALO OVAL MIRROR | AMBIENTE COLLECTION**  
Materials and Finishes

**Metal Finishes**



Brass Antique Dark



Brass Antique Light



Black Nickel Antique



Copper Antique Light

**Glass**

Extra clear mirror



**ORBITO HALO HEXAGON MIRROR**  
AMBIENTE COLLECTION

ORBITO is a series of wall mirrors in various shapes and sizes, with the linear structural metal frame holding the mirror in the centre. A perfect blend of mirror highlighted with metal in antique and oxidised finishes, infused by skilled workmanship and an advanced industrial process, leading to a completely exclusive result.

**ORBITO HALO HEXAGON MIRROR**

Copper Stagnant (Panel) | Brass Antique Light (Frame)

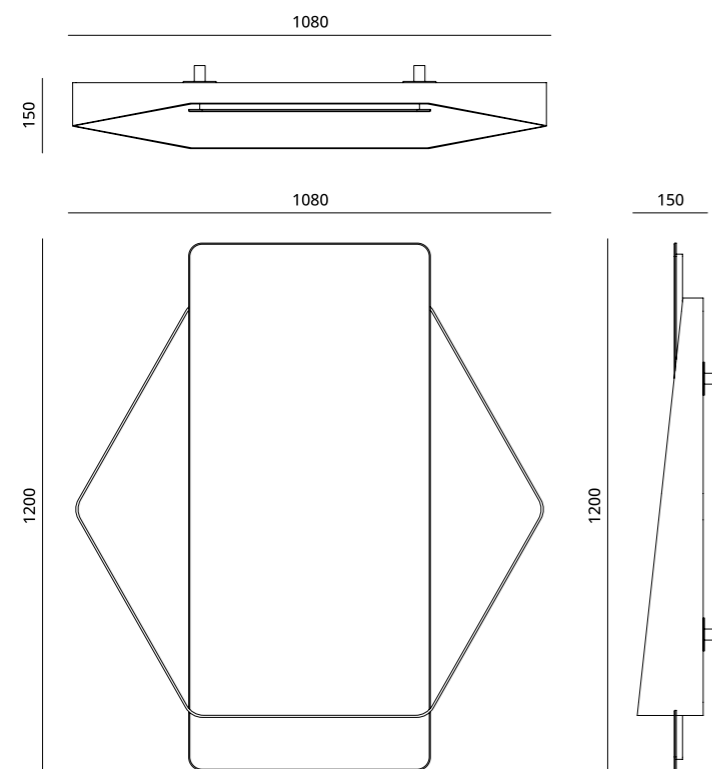
**ORBITO HALO HEXAGON MIRROR | AMBIENTE COLLECTION**  
Technical Information

**Details**

Frame- In metal  
Back Panel- In oxidised metal

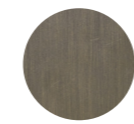
**Available Size (In mm)**

1080 L x 1200 H

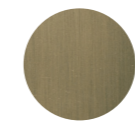


**ORBITO HALO HEXAGON MIRROR | AMBIENTE COLLECTION**  
Materials and Finishes

**Metal Finishes**



Brass Antique Dark  
(Frame only)



Brass Antique Light  
(Frame only)



Black Nickel Antique  
(Frame only)



Copper Antique Light  
(Frame only)



Brass Stagnant  
(Panel only)



Copper Stagnant  
(Panel only)



Brass Erratic  
(Panel only)



Copper Erratic  
(Panel only)



Steel Dusky  
(Panel only)



Steel Erratic  
(Panel Only)

**Glass**

Extra clear mirror



**ORBITO FREE-STANDING MIRROR**  
AMBIENTE COLLECTION

Orbito free standing mirror has been designed as a part of series of utility based valet stands uniquely developed as per their function. The linear structural metal frame holds the mirror in the centre and a rail for hangers at the back. A perfect blend of metal, wood and stone is infused by skilled workmanship and an advanced industrial process, leading to a completely exclusive result.

## ORBITO FREE-STANDING MIRROR | AMBIENTE COLLECTION

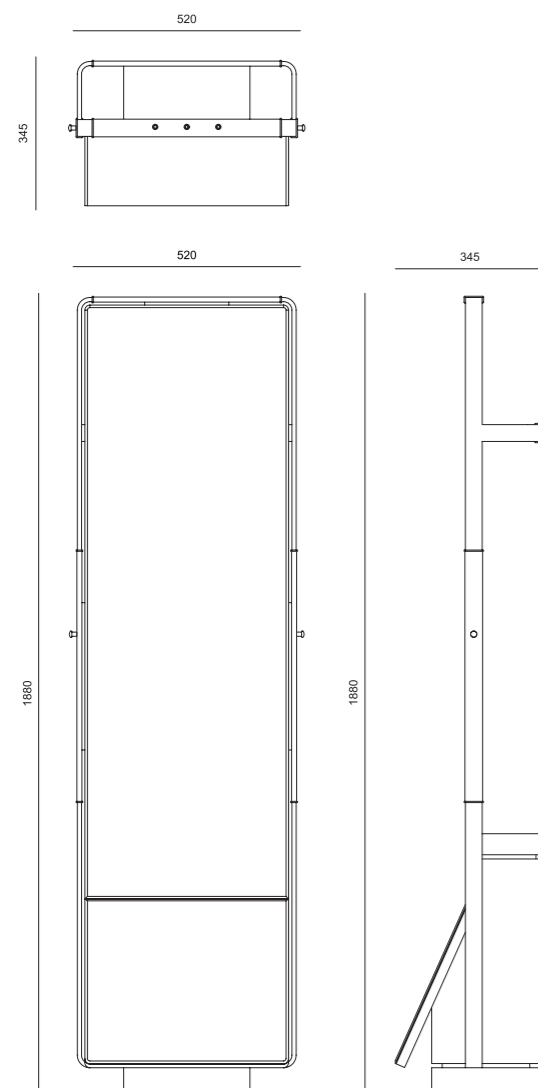
Technical Information

### Details

Frame- In metal  
Hanging and Vertical rail- Cladded in eco leather  
Hanging hooks- In metal  
Base- In stone  
Mirror back- In veneer

### Available Size (In mm)

520 L x 345 D x 1880 H



## ORBITO FREE-STANDING MIRROR | AMBIENTE COLLECTION

Materials and Finishes

### Metal Finishes



Brass Antique Dark



Brass Antique Light



Black Nickel Antique

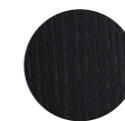


Copper Antique Light

### Wood/ Veneer Finishes



Brown Oak Matt



Black Stained Oak Matt

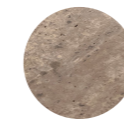
### Stone Finishes



Zura Travertine (Honed)



White Carrara (Polished)



Ebony Travertine (Honed)



Black Marquina (Polished)

### Upholstery

Eco Leather options available on request

### Glass

Extra clear mirror